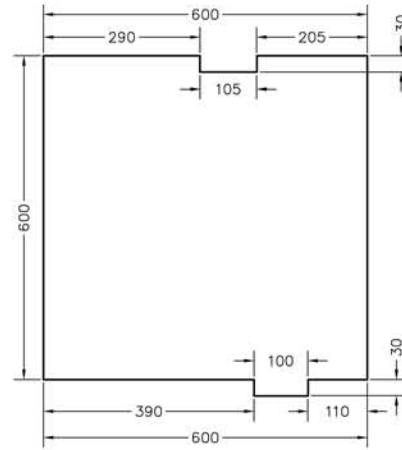
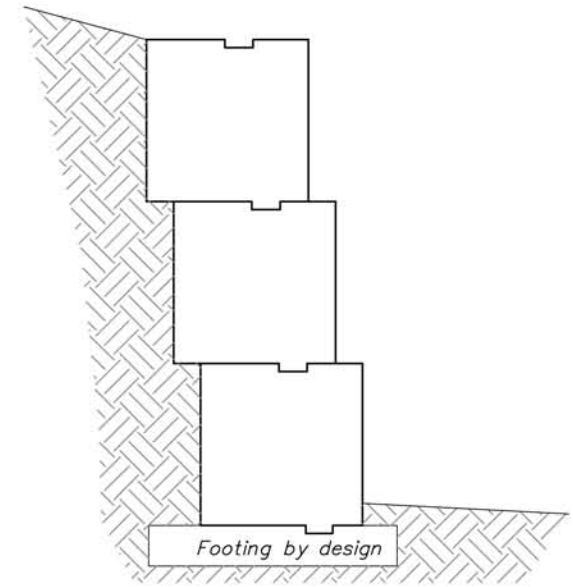


Vertical Graviti Block
Front



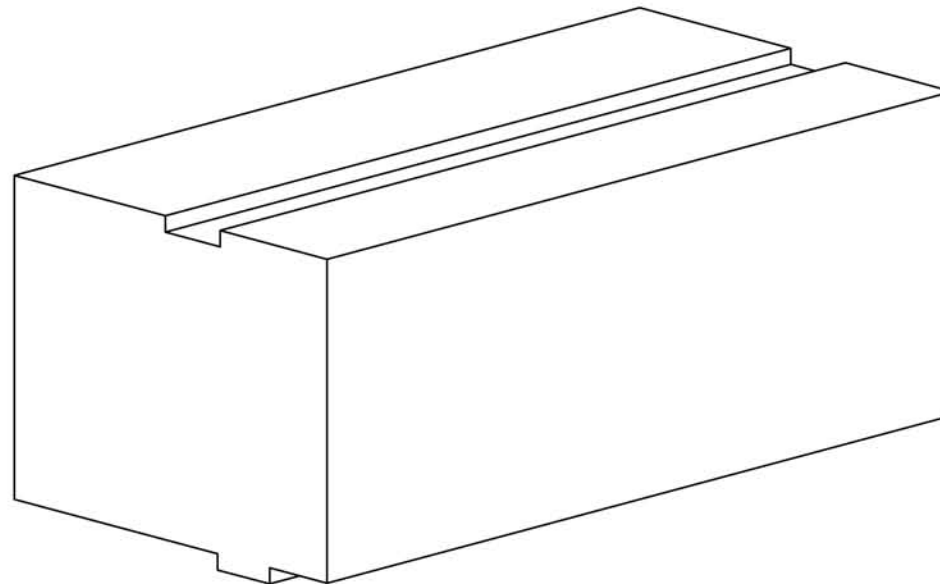
Vertical Graviti Block
Left Side



Typical Block Arrangement
for a 1.8m wall.

Available Block Sizes

- 600 x 1200 x 600
- 600 x 1200 x 900
- 600 x 1200 x 1200
- 600 x 1200 x 1800
- 600 x 1200 x 2400



Typical Vertical Graviti Block

Graviti Concrete is a high strength patented no fines mix designed to allow sub soil water to pass through freely