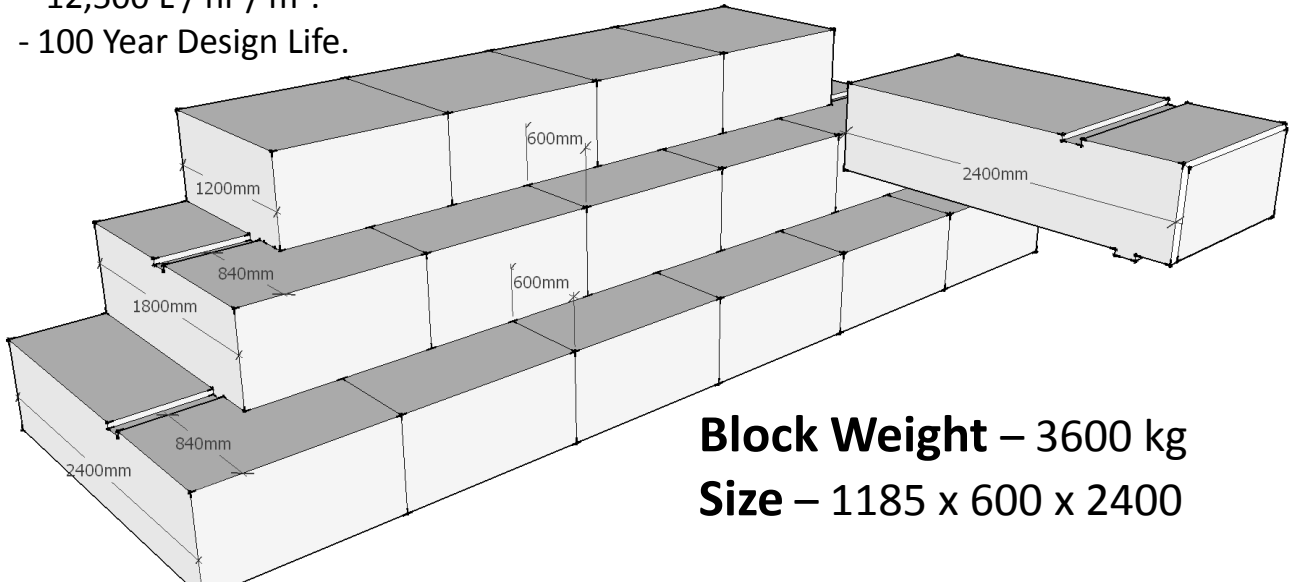


**Graviti® MassBloc®**

Permeability Flow Rate

- 12,500 L / hr / m<sup>2</sup>.

- 100 Year Design Life.

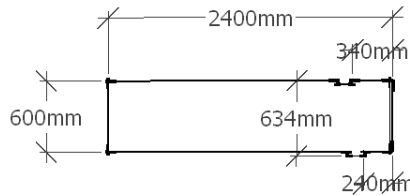
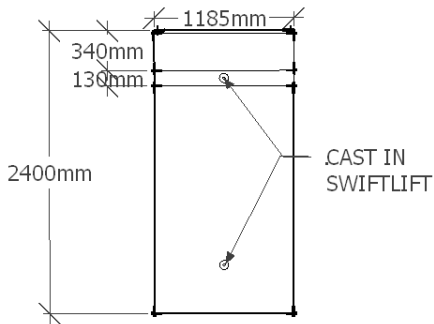


**Block Weight – 3600 kg**

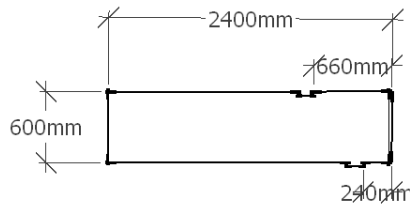
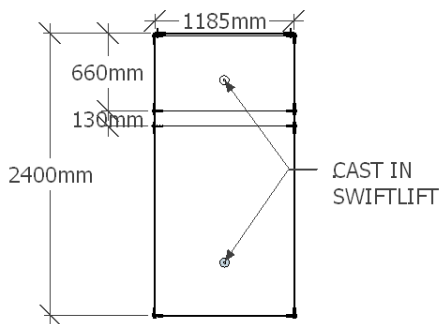
**Size – 1185 x 600 x 2400**

**Plan View**

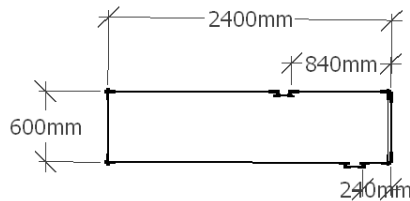
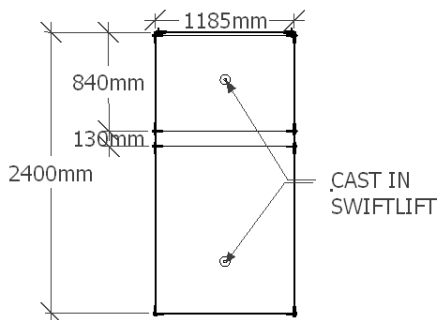
**End View**



**Standard Block**  
**100 step back**  
**Each Course**



**Key Set For**  
**420 step back**  
**Each Course**



**Key Set For**  
**600 step back**  
**Each Course**